

Pass ISO 9001:2015 Authentication, Certificate Number 282Q18090912283

Test Certificate

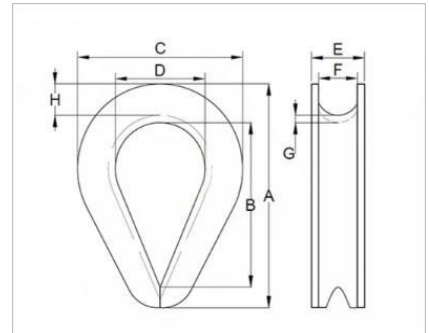
Order No: YMCCR2509W

Inspection Date: SEP 30TH,2025

CONTRACT NO.:

Purchaser:

Description of goods: G414 US TYPE HEAVY DUTY THIMBLE



G414 US TYPE HEAVY DUTY THIMBLE,HDG	Dimensions (inch)							
Size	A	B	C	D	E	F	G	H
5/16"	2.50	1.88	1.81	1.06	0.50	0.34	0.08	0.28
3/8"	2.88	2.13	2.13	1.13	0.63	0.41	0.11	0.34

Material

Chemical Composition					
MATERIAL	C(%)	Mn(%)	Si(%)	P(%)	S(%)
Q235B	≤ 0.20	≤ 1.40	≤ 0.35	≤ 0.045	≤ 0.045

This is to certify that the above-mentioned products have been inspected

Inspector: Mr Jiang

Quality Check Pass:

**QINGDAO YUMETAL HARDWARE
RIGGING CO., LTD**

Yu Shouhua

GENERAL MANAGER