

Pass ISO 9001:2015 Authentication, Certificate Number 282Q18090912283

# Test Certificate

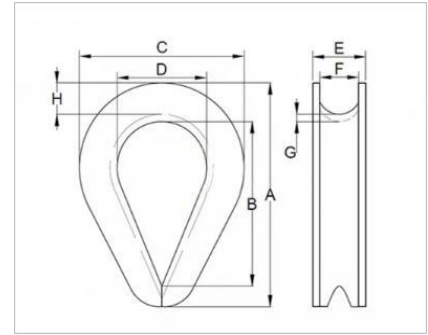
Order No: YMCCR2509W

Inspection Date: SEP 30TH,2025

CONTRACT NO.:

Purchaser:

Description of goods: G411 US Type Light Duty Thimble



G411 US Type Light Duty Thimble,HDG	Dimensions (inch)							
Size	A	B	C	D	E	F	G	H
1/8"	1.94	1.31	1.06	0.69	0.25	0.16	0.05	0.13
3/16"	1.94	1.31	1.06	0.69	0.31	0.22	0.05	0.13
1/4"	1.94	1.31	1.06	0.69	0.38	0.28	0.05	0.13
5/16"	2.13	1.50	1.25	0.81	0.44	0.34	0.05	0.13
3/8"	2.38	1.63	1.47	0.94	0.53	0.41	0.06	0.16
1/2"	2.75	1.88	1.75	1.13	0.69	0.53	0.08	0.19
5/8"	3.50	2.25	2.38	1.38	0.91	0.66	0.13	0.34
3/4"	3.75	2.50	2.69	1.63	1.08	0.78	0.14	0.34
7/8"	5.00	3.50	3.19	1.88	1.27	0.94	0.16	0.44
1"	5.69	4.25	3.75	2.50	1.39	1.06	0.16	0.41

**Material**

Chemical Composition					
MATERIAL	C(%)	Mn(%)	Si(%)	P(%)	S(%)
Q235B	≤ 0.20	≤ 1.40	≤ 0.35	≤ 0.045	≤ 0.045

This is to certify that the above-mentioned products have been inspected

Inspector: Mr Jiang

Quality Check Pass:

**QINGDAO YUMETAL HARDWARE RIGGING CO., LTD**

*Yu Shouhua*

GENERAL MANAGER